

SINOTRUK



HOWO-NX

6X4 TRACTOR HEAD

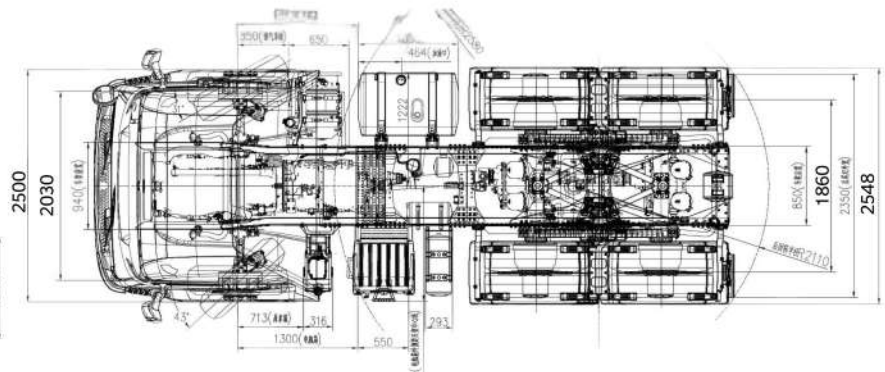
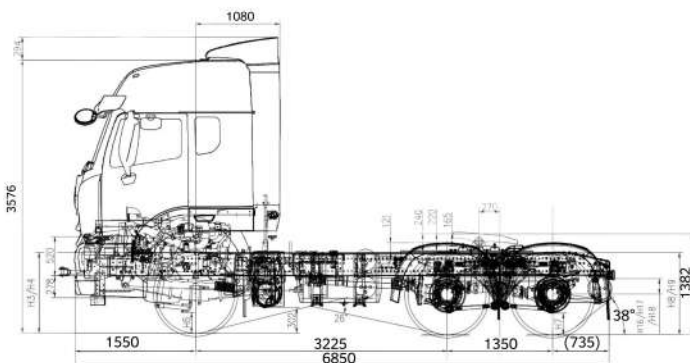


6X4 TRACTOR HEAD

TECHNICAL SPECIFICATIONS

Chassis	Brand	SINOTRUK
	Emission	Euro VI
	Driving type	6x4
Cabin	Type	H78L cabin with 4 point full-floating air suspension, 2 seats with double sleeper and AC
	Configuration	LED Screen with 4 View Camera, Seatbelt, fire extinguisher, Mp3 radio, USB
Engine	Model	MC07.29-61
	Type	6 cylinder, 4 strokes CRDI, Water cooling, Intercooler
	Displacement(L)	6.87 L
	Number of Cylinder	6
	Bore×stroke (mm)	108x125
	Max. power(HP/rpm)	290 HP@2200 rpm
Clutch	Model	Single dry plate dry coil-spring clutch,Hydraulically operating with air assistance, Dia:430mm
	Type	9 forward speeds, 1 reverse speed
Transmission	Model	HW13709XSTC with PTO
	Type	9 forward speeds, 1 reverse speed
	Max torque (N.m)	1350@2600rpm
Axle	Front axle	VGD 7.5T
	Rear axle	MCP16, 2x16T, with double reduction and axle+differential lock
Steering	Type	Power steering, RHD
Brake	Type	Air Brake , ABS with Auto Slack Adjuster
Wheels & Tires	Type	12.00R20
	Wheels No	10+1
Electrical system	Working voltage	24v, Negative grounded
	Starter	24V,7.5 KW
	Alternator	28V/80A
	Battery type	2x12V-165A.H
Dimensions	Overall dimensions (L×W×H)mm	6850x2496x3940
	Wheel base (mm)	3225+1350
	Wheel track (front) mm	2030
	Wheel track (rear) mm	1860
	Overhang (Front/Rear)mm	1550/725
	Approach/Departure Angle	20°/38°
Weights	Curb weight (kg):	8800
	Gross Combined Weight(kg)	65000
Performance	Max speed (km/h)	89
	Max gradability (%)	30
	Min Turning Radius (m)	<8.8m
	Min ground clearance(mm)	315
	Fuel tank capacity(L)	400
	Urea tank Capacity(L)	45

Note: The manufacturer reserves the right to modify the design and equipments without prior notice!



SPARK AUTOMOTIVES PVT.LTD.

3rd Floor, Siddhartha Complex, Kamaladi, Kathmandu, Nepal

Contact: +977-9709120931, 9802323552, Email: info@sparkventures.com.np

Website: www.sinotruknepal.com

Facebook: www.facebook.com/SinoturkNepal

SINOTRUK